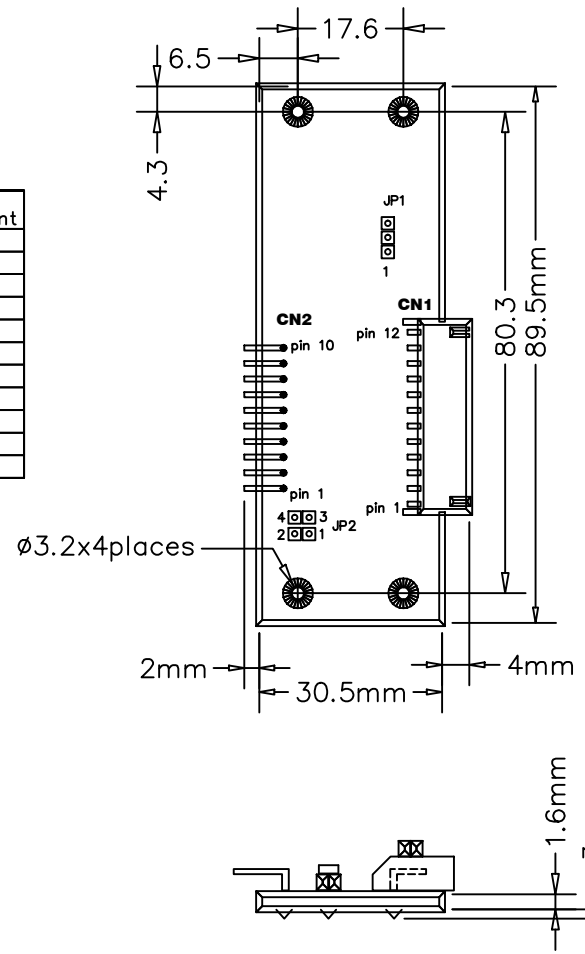


REVISION			
REV.	DESCRIPTION	APPR.	DATE
1	FIRST ISSUE		13 SEPT 19

pin #	description
10	Common Ground
9	Select Up
8	Select Down
7	Adjust Up/Increase/Right
6	Adjust Down/Decrease/Left
5	Menu
4	Brightness Down
3	Brightness Up
2	ON/OFF
1	Common Ground



pin #	description
12	no connection
11	OSD Select UP
10	OSD Select Down
9	OSD Plus/Right
8	OSD Minus/Left
7	OSD Menu
6	Ground
5	Backlight Brightness
	VR pin B
4	Backlight Brightness
	VR pin WIP
3	Backlight Brightness
	VR pin A
2	Power Switch B
1	Power Switch A

JUMPER DEFINITION  
 DEFAULT POWER  
 JP1 : 1-2 closed - OFF  
 2-3 closed - ON

BRIGHTNESS INC/DEC SWITCH  
 JP2 : 1-3 & 2-4 closed - SWAP  
 1-2 & 3-4 closed - NORMAL

NOTE:  
 1. ALL DIMENSIONS ARE : mm



TITLE MEMBRANE INTERFACE BOARD  
 P/N 416100120-3

MATERIAL			FINISH		DO NOT SCALE DRAWING			
DESIGN	DRAW	CHECK	APPROVE	SCALE	1:1	FILE	416100120-3	REV.
	BARRY LUI			SHEET SIZE		DWG. NO.	416100120-3	1
	13 SEPT 19			SHEET		PART NO.	416100120-3	

THE INFORMATION CONTAINED IN THIS DRAWING IS THE SOLE PROPERTY OF DIGITAL VIEW LIMITED ANY REPRODUCTION IN PART OR WHOLE WITHOUT THE WRITTEN PERMISSION OF DIGITAL VIEW LIMITED IS PROHIBITED.

TOLERANCES ARE: ±1mm